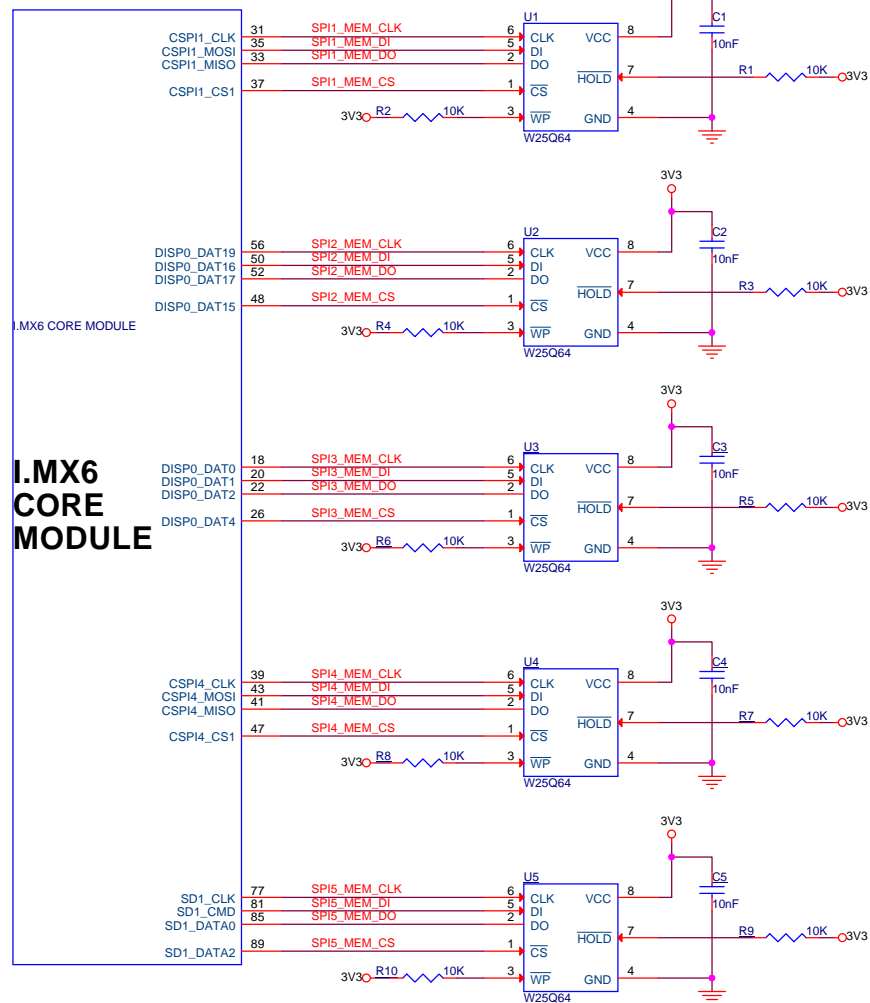


SPI X 5

CM6X



DISP0_DAT19 signal in this can reuse for SPI2_CLK PIN
 DISP0_DAT16 signal in this can reuse for SPI1_DI PIN
 DISP0_DAT17 signal in this can reuse for SPI1_DO PIN
 DISP0_DAT15 signal in this can reuse for SPI1_CS PIN

DISP0_DAT0 signal in this can reuse for SPI2_CLK PIN
 DISP0_DAT1 signal in this can reuse for SPI1_DI PIN
 DISP0_DAT2 signal in this can reuse for SPI1_DO PIN
 DISP0_DAT4 signal in this can reuse for SPI1_CS PIN

SD1_CLK signal in this can reuse for SPI2_CLK PIN
 SD1_CMD signal in this can reuse for SPI1_DI PIN
 SD1_DATA0 signal in this can reuse for SPI1_DO PIN
 SD1_DATA2 signal in this can reuse for SPI1_CS PIN

Design	<design>	www.goembed.com		
Review	<review>	Title SPI X 5		
Authorize	<authorize>	Size A3	Doc Name support@goembed.com	Ver. V1.0
Standardize	<standardize>	Date Saturday, January 21, 2017	Sheet 1 of 1	